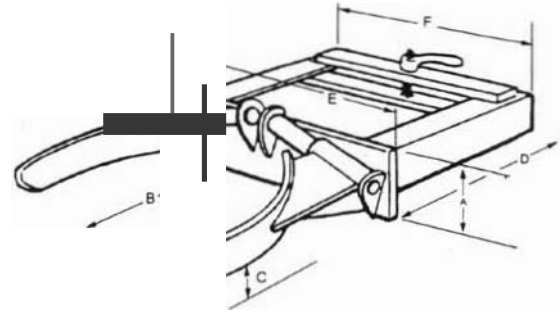


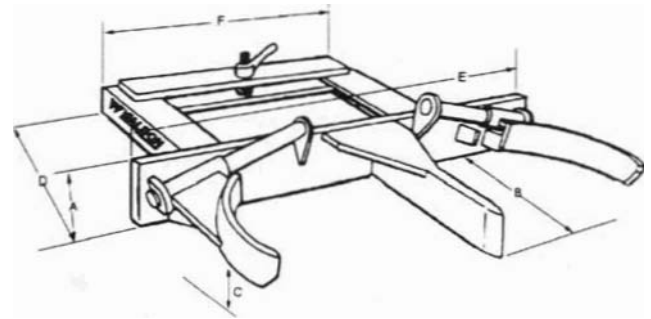


GRIP-O-DRUM MECHANICAL HANDLER

- The Grip-O-Drum moves steel drums faster; eliminates manual handling; improves productivity and safety.
- 55 Series Handles 15, 30 and 55 gallon drums - 85 Series Handles 30, 55, and 85 gallon drums - arms can be manually adjusted for each drum diameter.
- Simple, secure **handling** - narrow profile arms encircle the drum and lock automatically beneath the rolling hoop during pick up, automatically release when the drum is set down.
- Two model capacities - available in 1- and 2-drum models with respective capacities of **1,500** and 3,000 pounds.
- Carriage or Fork Mount - for intermittent use, the fork mount unit is recommended; for continuous use, specify the carriage-mount unit.



Model VF-1255
VF-1285



Model VF-2255
VF-2285

Model No.	No. Drums	Capacity (lbs.)	Mounted On	Fork Spread Req. Out-to-out (in.)	Weight (lbs.)	A (in.)	B (in.)	C (in.)	D (in.)	E (in.)	F (in.)
VF1255	1	1500	Forks	22 1/2	150	6	19 1/4	3	21	26	23 1/2
VA1055	1	1500	Carriage		110	6	19 1/4	3		26	
VF1285	1	1500	Forks	22 1/2	160	6	22	3	21	26	23 1/2
VF2255	2	3000	Forks	22 1/2	220	6	20 1/4	3	21	49	23 1/2
VA2055	2	3000	Carriage		190	6	20 1/4	3		49	
VF2285	2	2000	Forks	22 1/2	230	6	22	3	21	49	23 1/2

Optional replaceable spark proof brass arm liners are available for single drum and two-drum model.
 Optional plastisol coated arms available for single and two-drum model
 Extended fork frame available
 Mountings other than ITA, consult factory.